

Part number

CX 01 T



Brief description:

for 1 modular unit and enclosures size 49.16, for 1 modular unit and enclosures size 49.16

Product description

Version	frame for modular units
Variant	for 1 modular unit and enclosures size 49.16
Family	MIXO series, customizable inserts
Size	1 module

Further technical details

UL 94 flammability rating	V-0
Weight	0,04 g

General ordering information

EAN13 code	8015747095891
Tariff number	85369095

Packaging Information

Packaging length	205,00 mm
Packaging height	135,00 mm
Packaging width	135,00 mm
Packaging weight	2,55 kg
Packaging volume	3,74 dm ³
Packaging description	Carton box
Packaging quantity	60 Pcs
Packaging EAN code	8015747044363
Sub-packaging weight	0,26 kg
Sub-packaging description	Carton
Sub-packaging quantity	6 Pcs
Sub-packaging EAN barcode	8015747112543

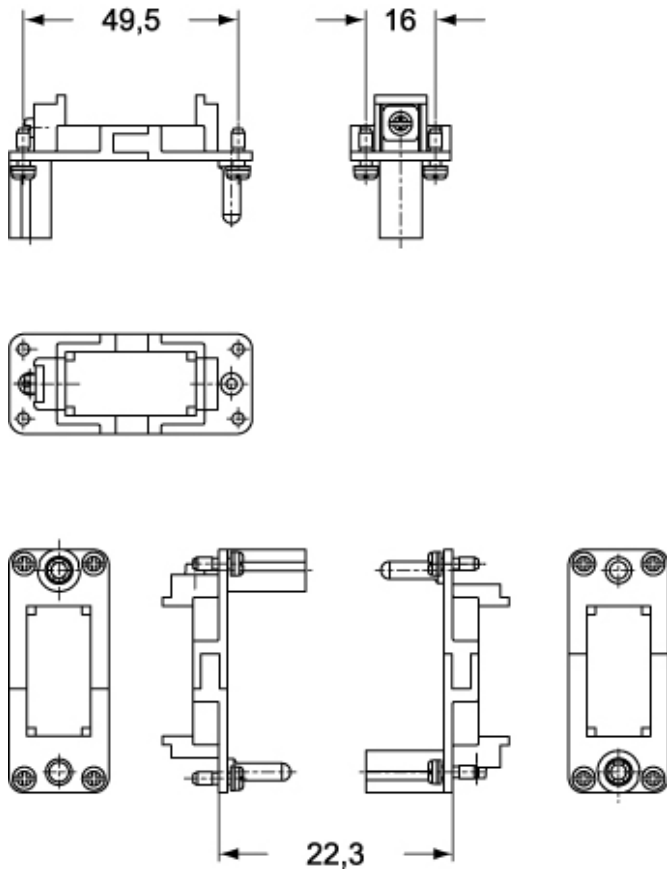
Part number

CX 01 T



Catalogue drawings

CX 01 T



Notes

the modular inserts must be installed in suitable frames which in turn are installed in traditional housings or COB panel support